



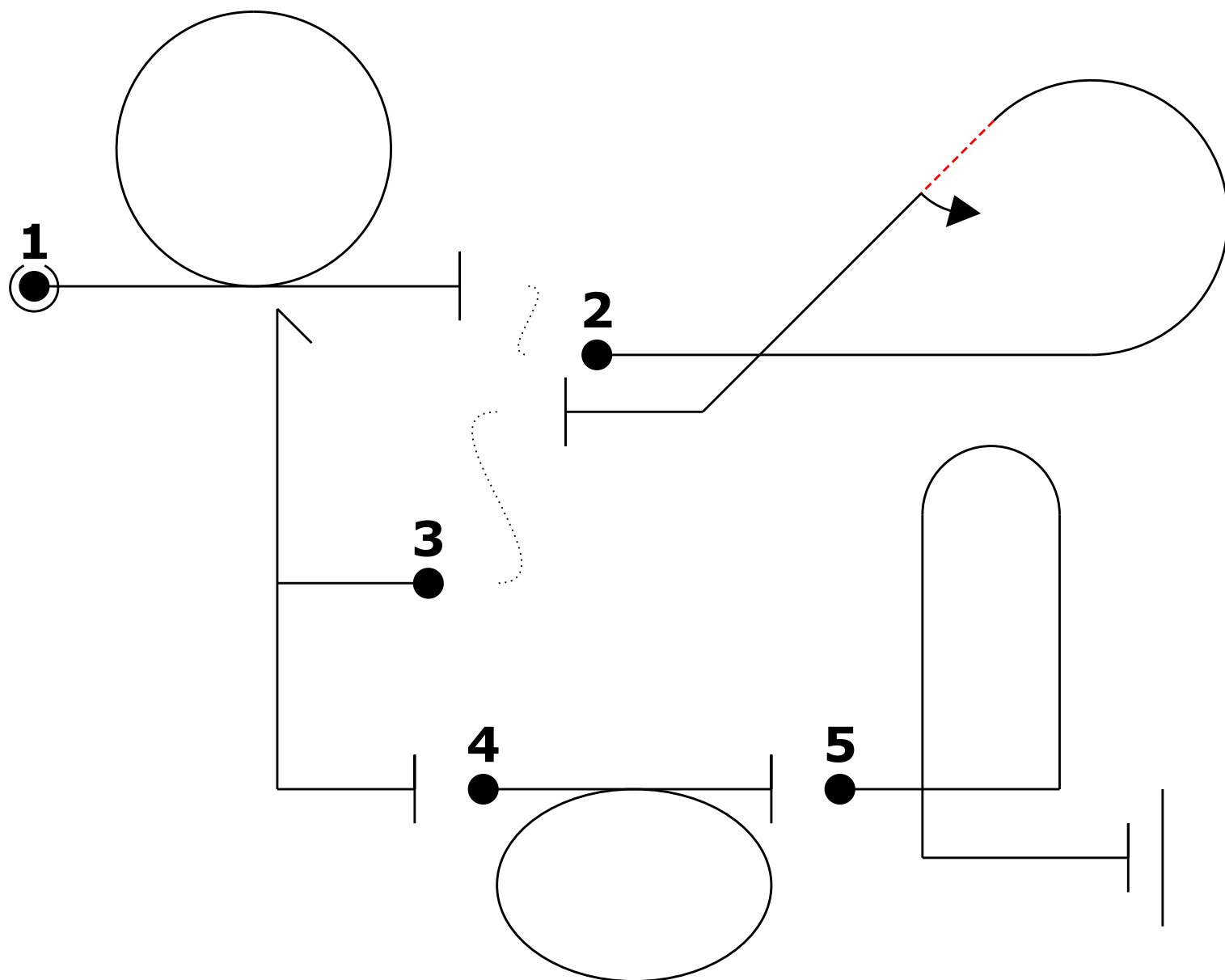
BRCC Intro to Aerobatics		Form A
Pilot ID	IMAC Basic 1 of 2	
		Flight #

No	Symbol	Cat. No.	K	Total K	Grade	Pos	Remarks	Item	K	Grade
1		7.4.1.1	10	10	.			Pos.	10	
								Harm.	0	
								Fig K	Total K	
2		8.5.6.1 9.1.4.2	10 4	14	.			60	70	
								<b>Penalties</b>		
								Too Low		
3		5.2.1.1	17	17	.			Too High		
								Interruptions		
								Insertions		
4		2.4.1.1	6	6	.			Trg Violation		
								Wing Rocks		
								Disqual Fig		
5		8.4.1.1	13	13	.			Other(note...)		
								<b>Final Freestyle</b>		
								Duration	Min	Sec
<b>Judges Details</b>										
Signature										
Name										
Number										

\_\_\_\_\_  
 ..... Pilot  
 ..... A/C



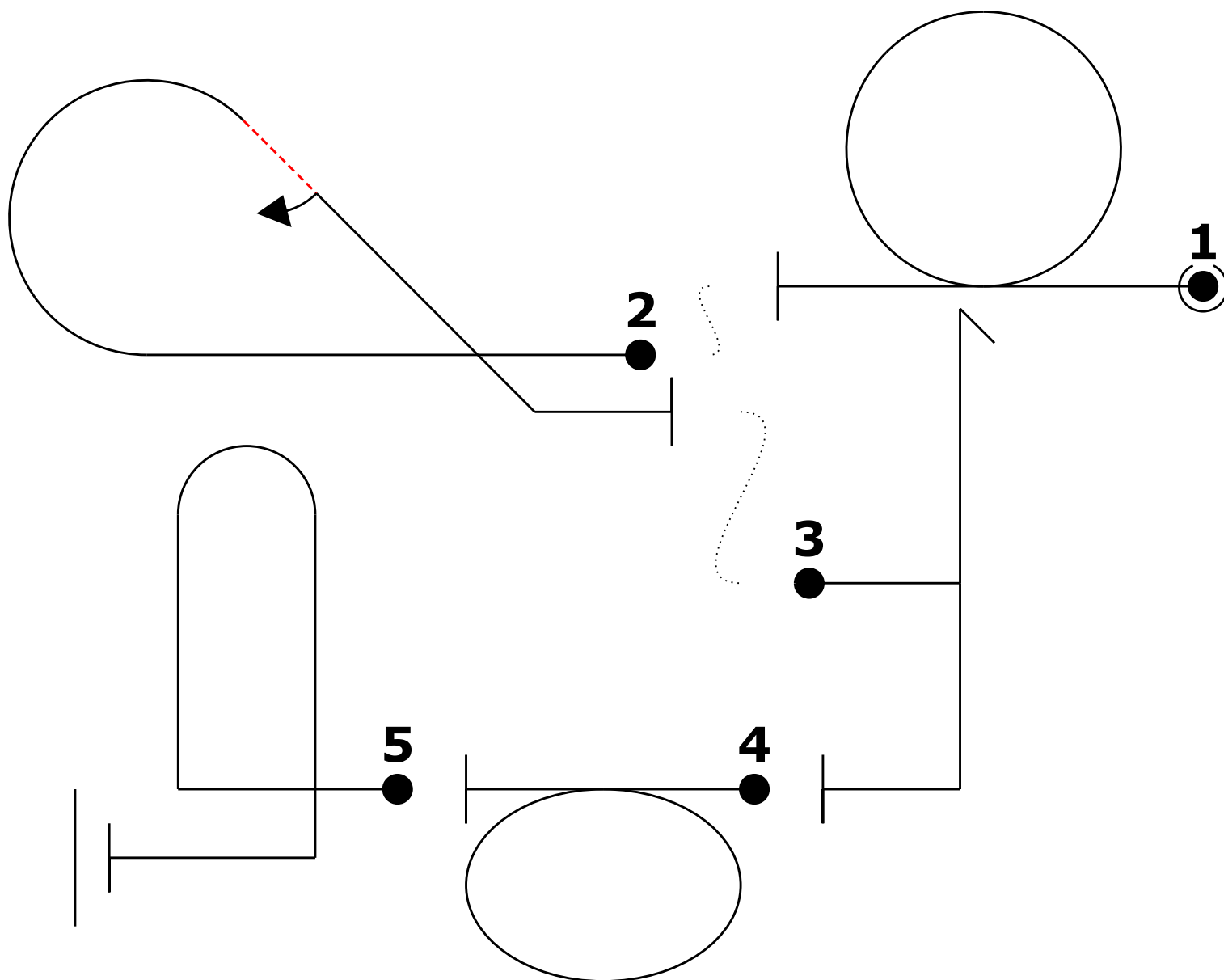
BRCC Intro to Aerobatics		Form B
Pilot ID	IMAC Basic 1 of 2	Flight #



\_\_\_\_\_  
 ..... Pilot  
 ..... A/C



BRCC Intro to Aerobatics		Form C
Pilot ID	IMAC Basic 1 of 2	Flight #



\_\_\_\_\_  
 ..... Pilot  
 ..... A/C